

## FEATURES AND SPECIFICATIONS

### Features and Benefits

- Sizes 6 to 30 circuits
- Joins two single row receptacles (52484) to mate with a dual row header (53313)

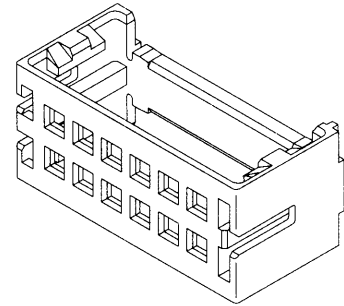
### Physical

Housing: Gray PBT, UL 94V-0  
 Operating Temperature: -40 to +105°C



## 2.00mm (.079") Pitch Mi II System Clip

**51094**  
**Dual Row**



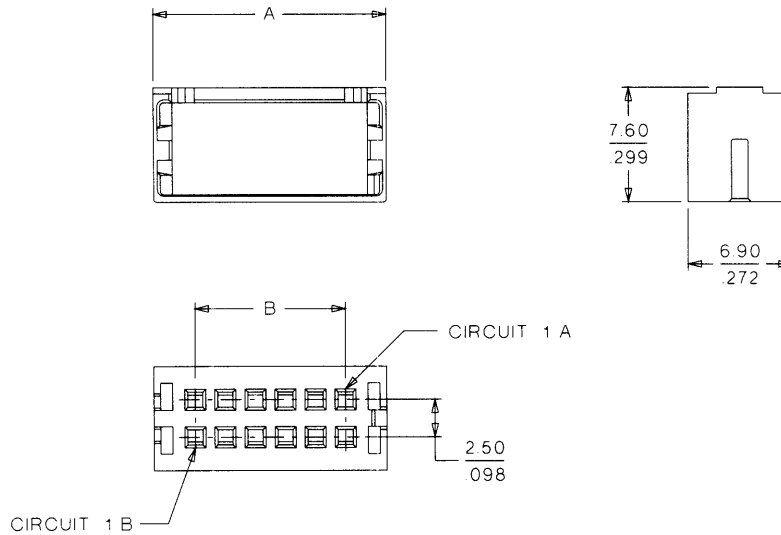
2.00 to 2.50mm (.079 to .098") Pitch

**B**

### Reference Information

Packaging: Bag  
 CSA File No.: LR19980  
 Mates With: 53313  
 Use With: 52484  
 Designed In: Millimeters

### CATALOG DRAWING (FOR REFERENCE ONLY)



### ORDERING INFORMATION AND DIMENSIONS

| Circuits | Order No.  | Dimension     |               |
|----------|------------|---------------|---------------|
|          |            | A             | B             |
| 6        | 51094-0605 | 9.50 (.374)   | 4.00 (.157)   |
| 8        | 51094-0805 | 11.50 (.452)  | 6.00 (.236)   |
| 10       | 51094-1005 | 13.50 (.531)  | 8.00 (.315)   |
| 12       | 51094-1205 | 15.50 (.610)  | 10.00 (.394)  |
| 14       | 51094-1405 | 17.50 (.688)  | 12.00 (.472)  |
| 16       | 51094-1605 | 19.50 (.767)  | 14.00 (.551)  |
| 18       | 51094-1805 | 21.50 (.846)  | 16.00 (.630)  |
| 20       | 51094-2005 | 23.50 (.925)  | 18.00 (.709)  |
| 22       | 51094-2205 | 25.50 (1.003) | 20.00 (.787)  |
| 24       | 51094-2405 | 27.50 (1.082) | 22.00 (.866)  |
| 26       | 51094-2605 | 29.50 (1.161) | 24.00 (.945)  |
| 28       | 51094-2805 | 31.50 (1.240) | 26.00 (1.024) |
| 30       | 51094-3005 | 33.50 (1.318) | 28.00 (1.102) |